

TELEPHONES LE LAS (FRANCE Head Office)

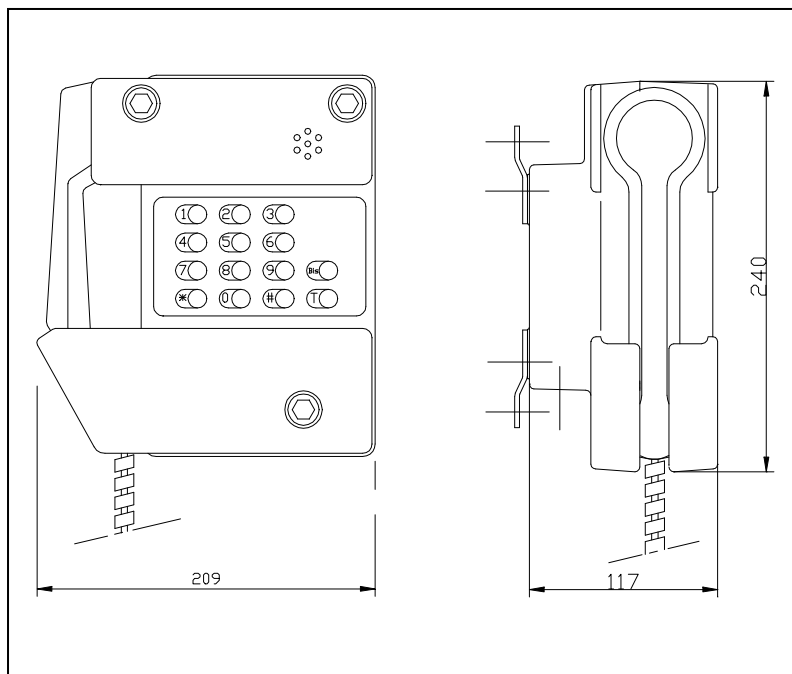
Tel:0033 1 48766262

E-mail: lelas@lelas.fr

Fax:0033 1 48768304

Web-site:www.lelas.fr

All screws are stainless-steel only



Weather-proof IP66 ACB telephone
for wall mounting, aluminum light-alloy body
P/N TLA346E15A

Electrical Characteristics:

Direct current supply:	12 to 60 Vdc
Consumption:	< 30mA
Ringing voltage:	35 – 90 Vac
Dialing:	DTMF/pulse
Flashing/earth:	adjustable
Electronic Bell:	90dB at 1 m.
Hook:	magnetic type
Other characteristics:	CCITT Q23

Functions:

Keypad:	12 keys (*, #, 0,1...9)
BIS button:	Last number redial
R button:	Flash/Earth

Additional functions (options)

It is possible to add the second receiver such as the Loudspeaker or anti-noisy head set

Body material / Color:Aluminum Light-alloy / RAL2003
Handset material / color:Aluminum Light-alloy / Black
Handset cord:stainless steel200kg resistance
Mounting:on wall
Termination:Inside screw connections
Dimensions:210 X 240 X 117 mm
Weight:3,6 kg
IP-rating:66
Max. / min. amb. Tem.....-20 °C / + 50°C
Cables inlets:(2 cable glands for cable ϕ 5 – 8 mm)
Opening:3 screws on front part

Maintenance:

all circuits and control devices are fixed on the easy removable front plate for a very quick substitution of equipment in field



Installation, Operation and Maintenance Procedures

- Open the pivoting front panel removing the three screws.
- Pass the cables through the cableglands being sure that the cable fit with the rubber gasket
- Connect the telephone wires at the screw terminals as indicated in the operator's book
- Make a functional test calling another extension and asking to be re-called
- Adjust the volume of the bell (see operator's book)
- Adjust the sensitivity of the microphone (see operator's book)
- Close the front panel paying attention to the position of the gaskets

This equipment is supplied with a 2 year warranty against defective workmanship

